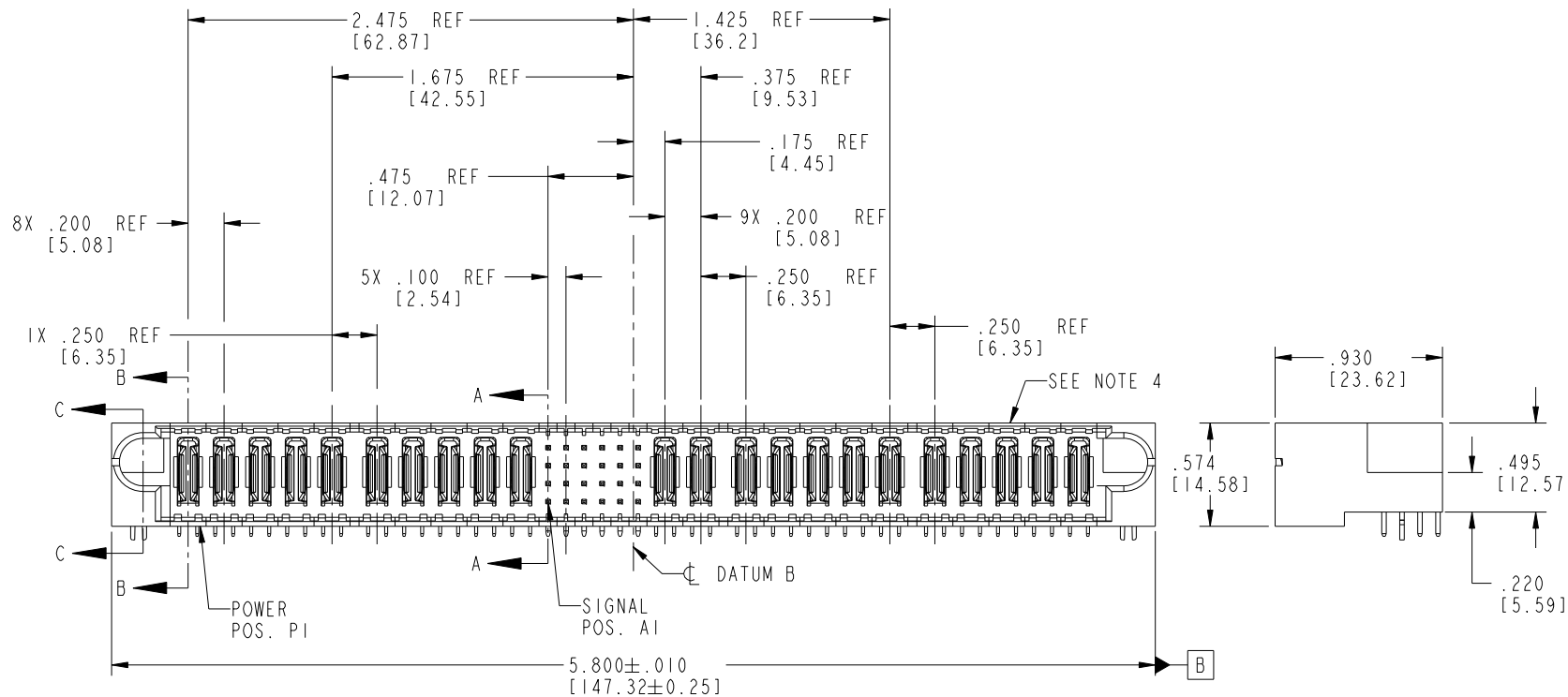


Tous droits strictement réservés. Reproduction ou communication a des tiers interdite sous quelque forme que ce soit sans autorisation écrite du propriétaire. Propriété de c FCI. Droits de reproduction FCI.

All rights strictly reserved. Reproduction or issue to third parties in any form whatever is not permitted without written authority from the proprietor. Property of FCI. Copyright FCI.



PRODUCT NO. 51856-001_	ROWS D C B A	POWER										SIGNAL						POWER						E2				
		E1	P1	P2	P3	P4	P5	P6	P7	P8	P9	P10	1	2	3	4	5	6	P11	P12	P13	P14	P15		P16	P17	P18	P19
NOTE (3)		[Diagram showing PA contacts]										[Diagram showing UUUUUU, TTTTTTTT, SSSSSSS, RRRRRR contacts]						[Diagram showing PA contacts]										



CODE	DIM "M" MATING LENGTH	CONTACT TYPE
E	.220 [5.59]	SIGNAL
R	.270 [6.86]	SIGNAL
S	.270 [6.86]	SIGNAL
T	.270 [6.86]	SIGNAL
U	.270 [6.86]	SIGNAL
PA	N/A [N/A]	POWER
HA	N/A [N/A]	HOLD-DOWN

mat'l code				SEE NOTE 2		tolerances unless otherwise specified		CUSTOMER		FCI	
ltr	ecn no.	dr	date	linear	.XX±.01/0.X±0.3	COPY		www.fciconnect.com		title	
A	V02747	CGD	11-16-00		.XX±.005/0.X±0.13	projection		10P + 24S + 12P		RIGHT ANGLE SOLDER HEADER	
B	V20487	JWS	03-12-02	angles	.XXX±.0020/0.XXX±0.051	INCH/MM		product family		code	
C	V20776	JWS	05-10-02		0°±2°	scale		PwrBlade		213	
D	V04-1133	TAB	12/01/04	dr	J. SHAFFER 05-10-02	1:1		size		sheet	
E	DG05-0526	CS	12/05/05	engr	M. MOSTOLLER 05-10-02	A		51856		1 of 4	
F	DG07-0498	JM	05/23/08	chr	M. MOSTOLLER 05-10-02						
G	DG08-0272	WD	09/28/08	appd	M. MOSTOLLER 05-10-02						
sheet index	revision sheet	G	G	G	G						
		1	2	3	4						

Pro/E

PDM: Rev:G

STATUS: Released

Printed: Oct 17, 2008

code code 51856

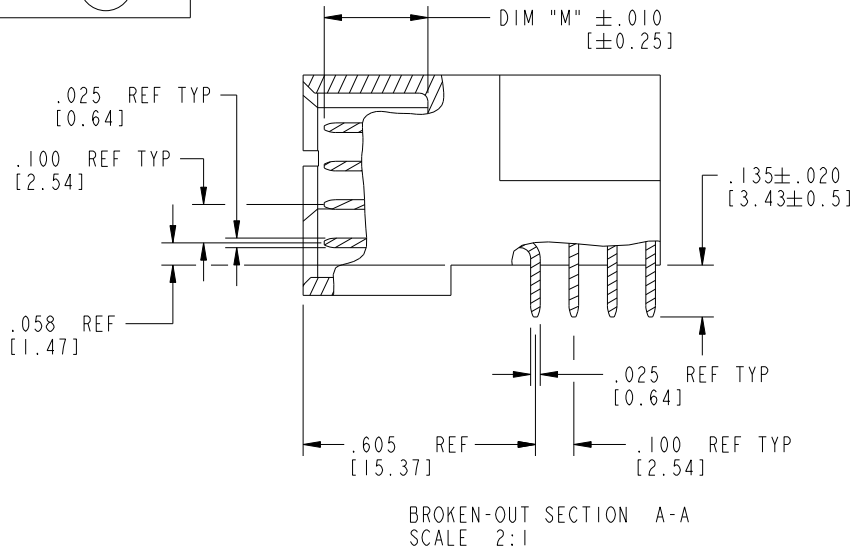
4

Tous droits strictement réservés. Reproduction ou communication a des tiers interdite sous quelque forme que ce soit sans autorisation écrite du propriétaire. Propriété de c FCI. Droits de reproduction FCI.

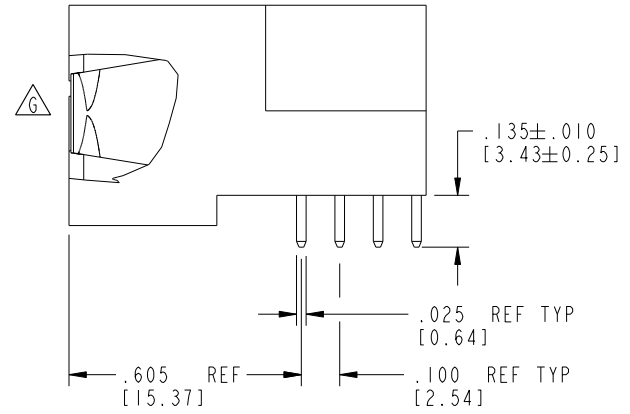
All rights strictly reserved. Reproduction or issue to third parties in any form whatever is not permitted without written authority from the proprietor. Property of FCI. Copyright FCI.



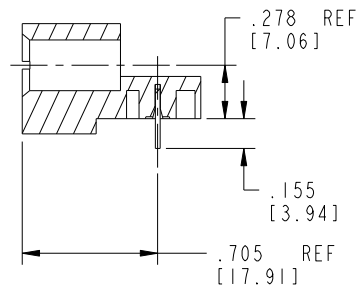
PRODUCT NUMBER
51856-001__
NOTE (3)



BROKEN-OUT SECTION A-A
SCALE 2:1



BROKEN-OUT SECTION B-B
SCALE 2:1



SECTION C-C

mat'l code		SEE NOTE 2		tolerances unless otherwise specified		CUSTOMER		 www.fciconnect.com	
ltr	ecn no.	dr	date	linear	.XX±.01/0.X±0.3	projection	title 10P + 24S + 12P		
G				angles	.XXY±.005/0.XX±0.13		RIGHT ANGLE SOLDER HEADER		
				dr	.XXX±.0020/0.XXX±0.051		product family PwrBlade		code 213
				engr	J. SHAFFER 05-10-02	INCH/MM	size		sheet 2 of 4
				chr	M. MOSTOLLER 05-10-02	scale 1:1	dwg no		
				appd	M. MOSTOLLER 05-10-02		A 51856		
sheet index	revision sheet								

Pro/E

PDM: Rev:G

STATUS: Released

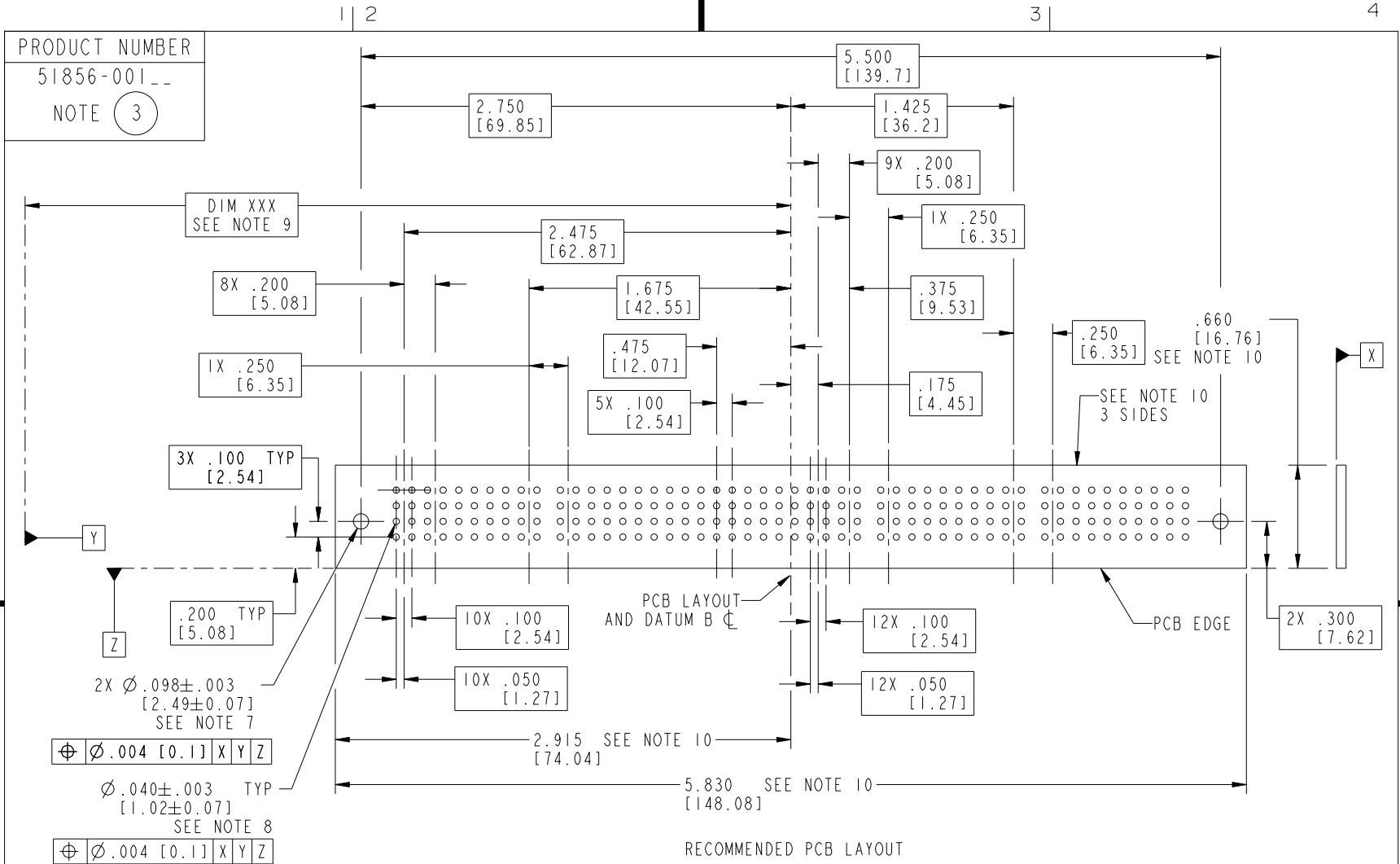
Printed: Oct 17, 2008

cage code 22556

Tous droits strictement réservés. Reproduction ou communication a des tiers interdite sous quelque forme que ce soit sans autorisation écrite du propriétaire. Propriété de c FCI. Droits de reproduction FCI.



All rights strictly reserved. Reproduction or issue to third parties in any form whatever is not permitted without written authority from the proprietor. Property of FCI. Copyright FCI.



RECOMMENDED PCB LAYOUT

mat'l code				SEE NOTE 2		tolerances unless otherwise specified		CUSTOMER		 www.fciconnect.com	
lfr	ecn no.	dr	date	linear	.XX±.01/0.XX±0.3	projection	COPY		title 10P + 24S + 12P		
G				angles	.XXY±.005/0.XX±0.13				RIGHT ANGLE SOLDER HEADER		
				dr	.XXX±.0020/0.XXX±0.051		product family PwrBlade		code 213		
				enrg	0°+2°	scale 1:1	size		sheet 3 of 4		
				chr	J. SHAFFER 05-10-02		A		51856		
				appd	M. MOSTOLLER 05-10-02		dwg no				
					M. MOSTOLLER 05-10-02						
					M. MOSTOLLER 05-10-02						
sheet index	revision sheet										

Pro/E

PDM: Rev:G

STATUS: Released

Printed: Oct 17, 2008

code code 51856

4

Tous droits strictement réservés. Reproduction ou communication a des tiers interdite sous quelque forme que ce soit sans autorisation écrite du propriétaire. Propriété de c FCI. Droits de reproduction FCI.



All rights strictly reserved. Reproduction or issue to third parties in any form whatever is not permitted without written authority from the proprietor. Property of FCI. Copyright FCI.

1 | 2

3

4

PRODUCT NUMBER
51856-001__

NOTE (3)

NOTES:

1. DIMENSIONS AND TOLERANCES ARE IN ACCORDANCE WITH ASME Y14.5M, 1994 UNLESS OTHERWISE SPECIFIED.

CONNECTOR NOTES:

(2) HOUSING MATERIAL: UL 94 V-0 GLASS FILLED HIGH-TEMP THERMOPLASTIC
POWER CONTACT MATERIAL: COPPER ALLOY
SIGNAL PIN MATERIAL: COPPER ALLOY

(G) 3. SEE ITEM 1 & 2 IN PRINT 10064183 FOR PLATING SPEC OF 51856-001 AND 51856-001LF RESPECTIVELY.

(4) MANUFACTURER'S NAME, P/N, AND DATE CODE TO APPEAR ON THIS SURFACE.

5. PRODUCT SPECIFICATION GS-12-149.
APPLICATION SPECIFICATION BUS-20-067.

PCB NOTES:

6. ALL HOLE DIAMETERS ARE FINISHED HOLE SIZE.
7. MOUNTING HOLES, WHERE APPLICABLE, ARE UNPLATED.

(8) $\varnothing .0453 \pm 0.0010$ [1.151 ± 0.025] DRILLED HOLES PLATED WITH
0.0003 [0.008] MIN SnPb OVER .001 [0.03]
TO .003 [0.08] Cu PLATING TO ACHIEVE
 $\varnothing .040 \pm .003$ [$1.02 \pm .07$] HOLE.

(9) "DIM XXX" TO BE DETERMINED BY THE CUSTOMER.

(10) CONNECTOR KEEP-OUT ZONE.

11. A (G) SYMBOL WILL BE NEXT TO ANY DIMENSION, VIEW, OR NOTE WHICH HAS BEEN MODIFIED WITH THE CURRENT DRAWING REVISION.

mat'l code				SEE NOTE 2		tolerances unless otherwise specified		CUSTOMER		FCI	
lfr	ecn no.	dr	date	linear	.XX±.01/0.X±0.3	projection	COPY		www.fciconnect.com		
G					.XXX±.005/0.XX±0.13		title		10P + 24S + 12P		
				angles	.XXX±.0020/0.XXX±0.051		RIGHT ANGLE SOLDER HEADER		product family PwrBlade code 213		
				dr	J. SHAFFER 05-10-02		size		A 51856		
				enrg	M. MOSTOLLER 05-10-02		dwg no		4 of 4		
				chr	M. MOSTOLLER 05-10-02		scale		1:1		
				appd	M. MOSTOLLER 05-10-02						
sheet index	revision sheet										

1 | 2

Pro/E

PDM: Rev:G

STATUS: Released

Printed: Oct 17, 2008